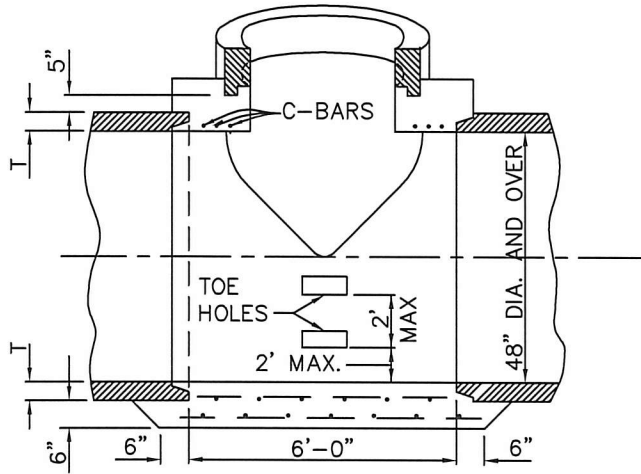
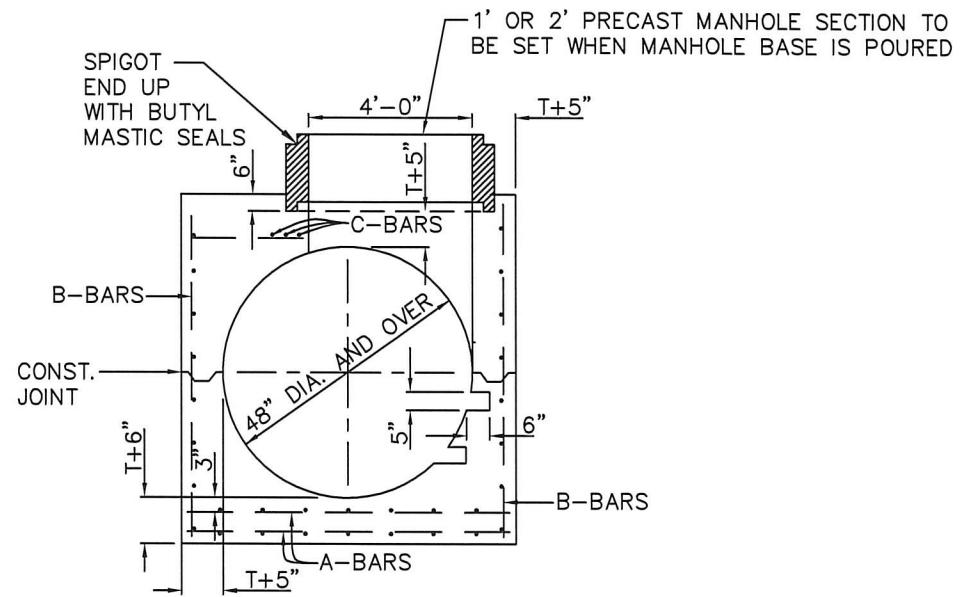


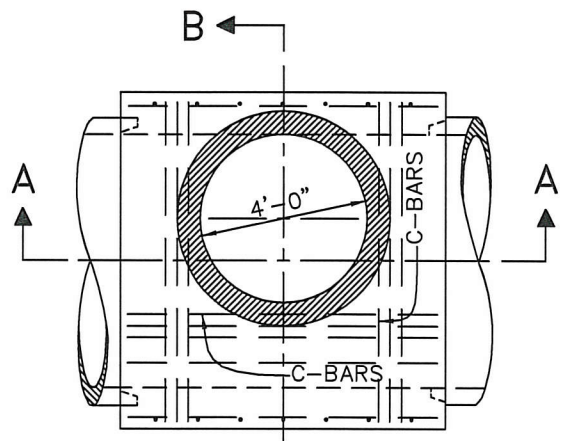
USE SAME BARREL AND CONCENTRIC CONE AS SHOWN ON ACC. NO. 49037 WHEN LOCATED IN PAVED AREAS. WHEN LOCATED OUTSIDE OF PAVED AREAS, PROVIDE FLATTOP SLAB PER ACC. NO. 49048.



SECTION A-A



SECTION B-B



PLAN

REINFORCING SHOWN IN TOP SLAB

NOTES:

MANHOLE BASE IS SHOWN FOR SEWERS WITH NO HORIZONTAL DEFLECTION. BASE WILL NEED TO BE ENLARGED AND DESIGNED FOR SEWERS WITH HORIZONTAL DEFLECTIONS. 5' DIAMETER BARREL SHALL BE PROVIDED ON CONDUITS 60" AND LARGER. SHOP DRAWINGS SIGNED AND SEALED BY A PROFESSIONAL ENGINEER SHALL BE PROVIDED TO MSD.

- ALL CONCRETE SHALL BE CLASS "C".
- ALL STEEL SHALL HAVE 2" COVER EXCEPT WHERE NOTED.
- LONGITUDINAL STEEL - NO. 5 BARS @ 18" O.C.
- A AND B BARS - 12" O.C. AS SHOWN.
- C BARS - 3" O.C. AS SHOWN.
- A, B AND C BARS - NO. 5 BARS ON 48" TO 60" SEW.
- NO. 6 BARS ON 66" TO 78" SEW.
- NO. 7 BARS ON 84" TO 108" SEW.

THE
METROPOLITAN SEWER DISTRICT
OF
GREATER CINCINNATI
**STANDARD MANHOLE
ON SAN. CONDUITS
48" AND OVER**

NO SCALE DATE: DEC. 2010
APPROVED: *Ralph J. Hunt*
SEWERS CHIEF ENGINEER